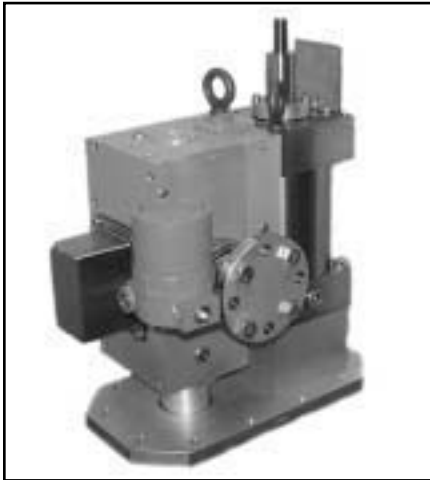


BAFCO

MODEL 701

STEAM THROTTLE VALVE CONTROLS for STEAM TURBINES



MAXIMIZE PERFORMANCE and PROFITS
of your steam turbine and electronic governor!

Install **BAFCO Model 701** electro-hydraulic steam throttle valve actuators, servovalve, servoamplifier and trip systems to precisely position the steam valves.

BAFCO The premier electro-hydraulic valve actuator and control system manufacturer for **CRITICAL PROCESS CONTROL** for the worldwide petrochemical industry for over **40** years! From Catalytic Cracking Units to High Pressure Polyethylene Reactors to Rocket Engine Test Facilities, users know they can depend on **BAFCO!**

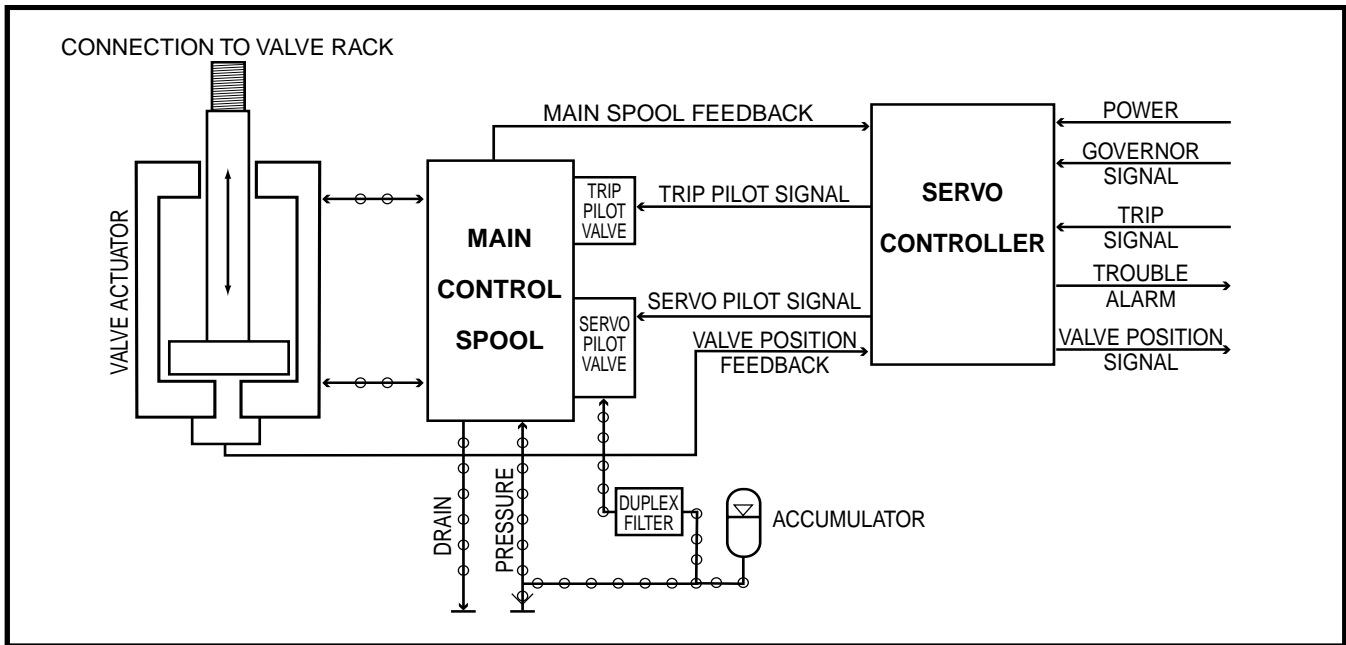
BAFCO MODEL 701 STEAM THROTTLE VALVE SYSTEMS include:

- ❖ high response linear hydraulic actuator
- ❖ LVDT for position feedback
- ❖ servoamplifier mounted in **NEMA-4X** control box
- ❖ receives **4-20 ma** output from **ANY** electronic governor
- ❖ **2 or 3** stage servovalve and trip manifold
- ❖ electro-hydraulic trip controls for high speed trip
- ❖ duplex filtration for most sensitive components
- ❖ outputs for monitor and alarm
- ❖ adaptors for turbine shell or floor mounting

Bulletin **STVC**

BAFCO, INC. P.O. BOX 2428, 717 MEARNS ROAD, WARMINSTER, PA 18974 USA

TELEPHONE 215-674-1700 TELEFAX 215-675-1571 e-mail bafco@voicenet.com



STANDARD SYSTEM FEATURES:

- Output shaft
- Thrust output
- Stroke length
- Speed (Throttling)
- Speed (Trip)
- Input signals - throttling
- Solenoid valve (trip)
- Linearity
- Hysteresis
- Repeatability
- Response level
- Resolution
- Power source - electrical
- Electrical classification
- Power source - hydraulic
- Filtration
- Flow requirements - quiescent
- Ambient temperature
- Materials of construction
 - Manifolds
 - Cylinder/cylinder heads
 - Piston stem

extends to open steam throttle valve
2,500 to 25,000 lbs.
1" to 12"
< 2.50 sec. - others available
< .400 sec. - others available
4-20 ma - others available
24 vdc - others available
< 1%
< .5%
< .2%
< 0.03 ma
< .1%
24 vdc, 110 vac, 220 vac,
NEC Class 1, Div. 2 & Cenelec
90 to 300 psi
10 micron nominal
2 gpm at 100 psi
-15° to +150°F

aircraft grade aluminum - anodized
 carbon steel - nickel plated
 stainless steel

OPTIONAL SYSTEM FEATURES:

- Manual control station
- Output shaft

electric pushbutton control
 retracts to open steam throttle valve

BAFCO, INC. P.O. BOX 2428, 717 MEARNS ROAD, WARMINSTER, PA 18974 USA

TELEPHONE 215-674-1700 TELEFAX 215-675-1571 e-mail bafco@voicenet.com

SERVOAMPLIFIER BOX

- NEMA-4X enclosure
- Servoamplifier
- Dual power supplies
- Terminal strips
- Dual digital readouts
 - Shaft position
 - Governor Signal
- LED power supply
- LED fault indicators
 - Loss of command signal
 - Loss of power supply
 - Loss of feedback signal
 - Loss of coil



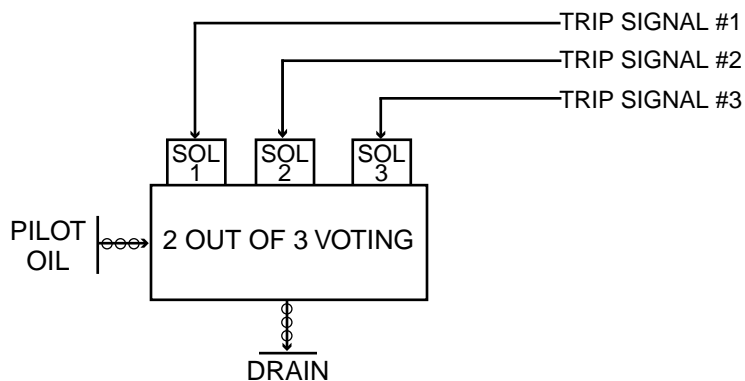
TRIPLE REDUNDANT TRIP MANIFOLD

- 2 out of 3 solenoid tripping logic
- Solenoids can be changed on the fly
- Solenoids rated NEC Class 1, Div. 1 & Cenelec
- De-energize solenoid to trip
- Trip voltages - 24 vdc, 110/220 vac
- Auto reset on restoration of power
- Dual trip cartridges for increased reliability
- Anodized aluminum manifold
- Multiple 1" inlet & drain connections
- Hydraulic pressure gage connection
- Outputs for monitor & alarm



OPTIONAL FEATURES

- Manual trip
- Other solenoid voltages available



BAFCO, INC. P.O. BOX 2428, 717 MEARNS ROAD, WARMINSTER, PA 18974 USA

TELEPHONE 215-674-1700 TELEFAX 215-675-1571 e-mail bafco@voicenet.com

OTHER BAFCO PRODUCTS

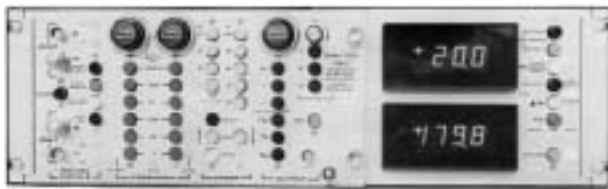
SLIDE & PLUG VALVE ACTUATORS
For FCC Refineries



BUTTERFLY VALVE ACTUATORS
For Expander Turbines



FREQUENCY RESPONSE ANALYZERS



CENTRAL HYDRAULIC SYSTEMS



FURNACE DAMPER ACTUATORS



FIELD MANIFOLDS



ADDITIONAL PRODUCTS BY BAFCO

- INLET GUIDE VANE ACTUATORS & CONTROLS FOR LARGER AXIAL COMPRESSORS -
- HIGH PRESSURE SOCKET WELD TUBING & PIPE FITTINGS per SAE CODE 61 -